

Thank you for your choice of the Bachmann Branchline Class 66/9 diesel locomotive.

## General

The mechanism of this model requires running in (without a load) for approximately 1 hour in each direction at moderate speed to allow the gear train to bed in.

When required, sparingly lubricate the motor bearings using plastic compatible light oil and the gear train with model grease.

Bachmann Branchline locomotives are not suitable for use on track tighter than second radius (18 inches).

## Body removal

There are four screws, two by the inner end of each bogie as indicated on the diagram (below right). Also, ease the clips at the cab ends.

## DCC Onboard models (including DCC Sound)

Please read the accompanying DCC instruction sheet before using the model.

## DCC Decoder fitting to DC model

This model has a 21-pin connector for a decoder.

Use either a decoder with matching fitting (for example Bachmann 36-554) or the Bachmann 36-559 8/21pin adaptor to use a decoder with an 8-pin plug.

It is recommended to run a DC loco in first before installing a decoder.

Carefully remove the blanking board and locate the decoder onto the pins of the decoder interface following the instructions included with the decoder: the decoder fits so that the contact block is uppermost with the decoder fitting towards the middle of the main loco PCB.

## DCC Sound decoder fitting to DC model

There are loudspeaker connections on the main PCB, marked 'SP+' and 'SP-' that can be used when a sound decoder with a 21-pin connector is used. Follow any fitting instructions supplied with the decoder.

## Control of lights with DCC

When using a decoder with the appropriate number of function outputs, the onboard lights can be controlled as follows:

F0 - Head lights / tail lights turned on / off

F1 - Cab lights on / off

If using a sound decoder there may be a conflict in the allocated functions on the decoder between the control of

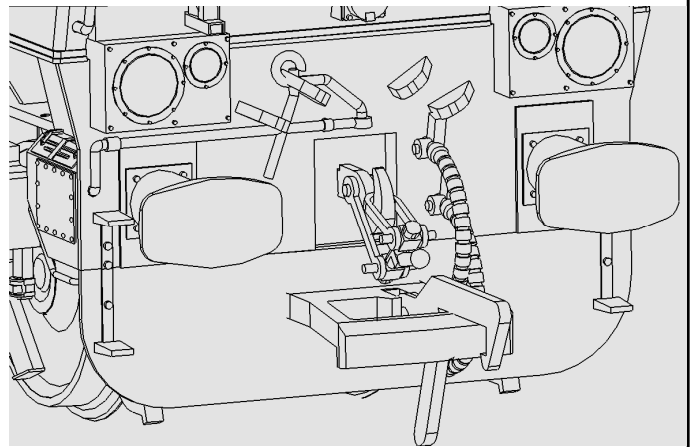
cab lights and another function. Please check with the decoder instructions or supplier of the decoder.

## Tail lights

The model has tail lights that can be turned off - use the switch beneath the fuel tank so that they are not illuminated on the rear of a locomotive hauling a train.

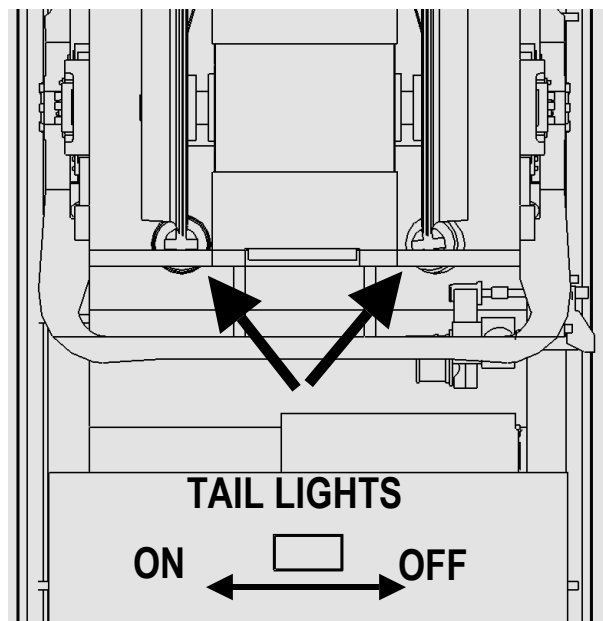
## Buffer beam parts

The locomotive front plate, air pipes and the dummy buckeye coupling (according to model) fit as shown below



## Hints for best results

The operation of a DCC loco requires that the power to the model is not interrupted. Track, wheels and pickups should be kept clean and all rail joiners must give good connections between sections of track. Improved reliability of DCC performance may be obtained by deselecting DC operation of the model on the decoder. This is usually controlled by CV29, Bit 2



## Replacement Parts

- 1 975-006 motor
- 2 975-018 PCB 21pin
- 3 975-009 driveshaft
- 4 975-013 underframe
- 5 975-013 bogie tower top
- 6 975-032 driving wheels
- 7 975-022 bogie
- 8 BL2007 drive cup
- 9 975-030 bogie frame (short cab)
- 10 975-031 bogie frame (long cab)
- 11 975-020 gear set
- 12 BL1998 coupling
- 13 975-015 LED board (top)
- 14 975-016 LED board (lower)
- 15 975-014 buffer beam pack

When ordering parts please quote the catalogue number together with the livery of the model (if appropriate) and number of the part required.

Parts are subject to availability.

Packets of couplers (item 36-030) suitable for this model are available from retailers

### Bachmann Europe Plc

Moat Way  
Barwell  
Leicestershire  
LE9 8EY  
01455 841756  
www.bachmann.co.uk

The model should be handled carefully as it has many finely detailed parts. It is not suitable for persons under 14 years.

